

**NAMEPLATE**



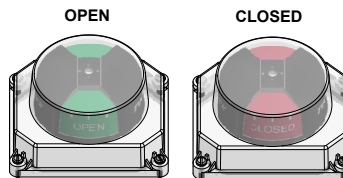
Telemetering Equipment Hazardous Locations  
**WARNING:** Substitution of components may impair intrinsic safety. Potential electrostatic charging hazard. Clean only with a damp cloth.

IP66/67  
 0 Ex ia IIC T4 Ga X; -60°C ≤ Ta ≤ 56°C  
 TC RU C-US.FLJ02.B.00058  
 Reference Certificate for Installation Parameters

TopWorx  
 3300 Fern Valley Road  
 Louisville, KY 40213 USA  
 www.topworx.com

Model #:

Serial #:



**MODEL NUMBER**

TVF-E20GNMM0000R

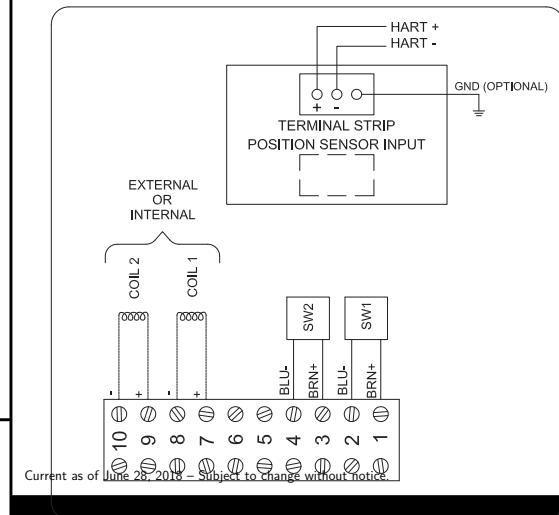
**PRODUCT LINE**

Switchbox TVF, TVH, and TVL

**SPECIFICATIONS**

Enclosure	Tropicalized Aluminum base with clear resin lid
Bus/Sensor	(2) p+f NJ2+V3-N inductive NAMUR
Area Classification	Intrinsically safe
Visual Display	Standard 90° Green OPEN, Red CLOSED
Shaft	NAMUR
Conduit Entries	(2) M20
O-Rings	Silicone
Pilot	No pilot option
Spool Valve	No spool valve option
Valve Cv	No valve Cv option
Manual Override	No manual override option
Regional Certification	EAC
N Switch	No N Switch

**WIRING DIAGRAM**



**TOPWORX**

3300 Fern Valley Road  
 Louisville, KY 40213

(502)969-8000 PH  
 (502)969-5911 FAX  
 www.topworx.com