

## SP - SM limit switch box series

Compact limit switch box for industrial, water treatment and light duty applications.

### Features

- Integrated mounting kit for NAMUR pattern
- Corrosion free glass reinforced plastic enclosure on SP series
- Nickel plated aluminium body on SM series
- 1 cable entry (SP) or 2 cable entries (SM) either metric or imperial
- Multiple indicator options
- Easy wiring through the terminal PCB board

### Approvals

#### ATEX, EAC, CCOE:

Ex II 2GD Ex ia IIC T4/T5/T6  
 Ex ia IIIB T44 °C.....T108 °C Db IP6\*  
 Ta: -20 °C ≤ Ta ≤ 80 °C

**SIL certificate:** Up to SIL 2 certified by TÜV

**Protection rating:** IP 65  
 IP 67 on request  
 Nema 4 4X on request

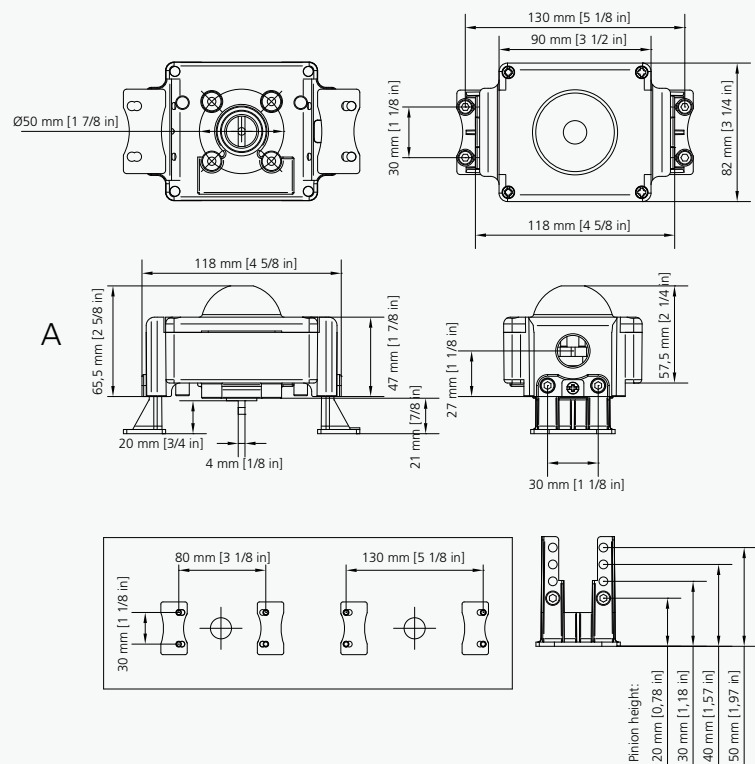
**Temperature:**  
 -20 to +80 °C (-4 to +176 °F) standard temperature range



### SP limit switch box



### SM limit switch box



# SP - SM limit switch box series

## Nomenclature

SP N1 2 H 0 - D H W 0 0 R 1

### Box

SP = Glass reinforced plastic body with polycarbonate cover  
SM = Aluminium body with polycarbonate cover

### Switch

01 = SPDT el.mech. switch silver plated contacts  
03 = SPDT el.mech. switch gold plated contacts (for Ex'ia')  
1F = DPDT el.mech. switch silver plated contacts  
C4 = SPDT magnetic hermetically sealed reed switch (for Ex'ia' low temperature)  
N1 = SPDT magnetic hermetically sealed silver plated snap acting contacts  
N3 = SPDT magnetic hermetically sealed gold plated snap acting contacts (for Ex'ia')  
70 = Inductive proximity NAMUR sensor NJ2-V3-N 2 wire NC logic (for Ex'ia')  
73 = Inductive proximity sensor model NBB2-V3-E2, 3 wire PNP NO

**See additional information and options on pages 14-19**

### Switch Quantity

2 = 2 switches

### Terminals

A = Screw type terminals  
4 = Blue screw terminals (for Ex'ia')  
0 = Screw terminals with sov connection  
2 = Blue screw terminals with sov connection (for Ex'ia')

### Coating

0 = Black plastic enclosure (on SP series)  
N = Nickel plated aluminium body (on SM series)

### Cable Entries

D = 1 cable entry 1/2" NPT  
E = 1 cable entry M20 x 1.5  
1 = 2 cable entries 1/2" NPT (SM series only)  
2 = 2 cable entries M20 x 1.5 (SM series only)

### Visual Position Indicator

H = 3D visual position indicator black and yellow  
Z = Flat visual position indicator black and yellow

**See additional information and options on page 11**

### Approval

W = Weather proof  
A = ATEX certified  
G = EAC certification for Russian market

**See additional information and options on page 13**

### Marking

0 = Standard location  
1 = Intrinsically safe certification

**See additional information and options on page 13**

### IP Protection rating

0 = Weather proof IP65  
7 = Nema 4 and 4X  
2 = Weather proof IP67

### Temperature

A = Ambient temperature range: -20 to +80 °C (-4 to +176 °F)  
B = Ambient temperature range: -20 to +70 °C (-4 to +158 °F) for sensor option 73

### Material

1 = Glass reinforced plastic body and polycarbonate cover (on SP series)  
2 = Nickel plated aluminium body and polycarbonate cover (on SM series)