

MODEL NUMBER

TVF-42WGNMM

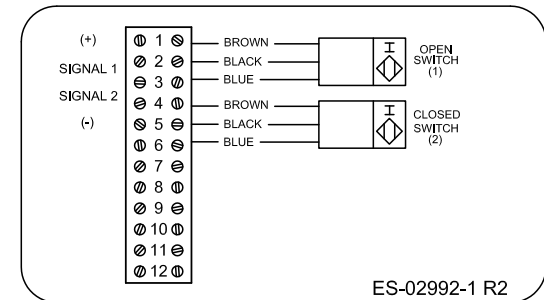
PRODUCT LINE

Switchbox TVF, TVH, and TVL

SPECIFICATIONS

Enclosure	Tropicalized Aluminum base with clear resin lid
Bus/Sensor	(2) p+f model NBB2-V3-E2
Area Classification	No approvals
Visual Display	Standard 90° Green OPEN, Red CLOSED
Shaft	NAMUR
Conduit Entries	(2) M20
O-Rings	Silicone
Pilot	No pilot option
Spool Valve	No spool valve option
Valve Cv	No valve Cv option
Manual Override	No manual override option
Regional Certification	No regional cert option
N Switch	No N Switch

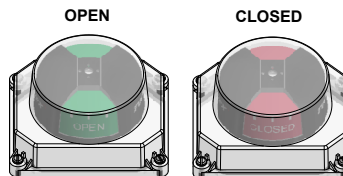
WIRING DIAGRAM



NAMEPLATE



TOPWORX
INDUSTRIAL CONTROL EQUIPMENT



Type 4X; IP66/68

TopWorx
3300 Fern Valley Road
Louisville, KY 40213 USA
www.topworx.com

Model #:

Serial #:

Current as of November 27, 2018 – Subject to change without notice.

TOPWORX
3300 Fern Valley Road
Louisville, KY 40213

(502)969-8000 PH
(502)969-5911 FAX
www.topworx.com