



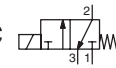
SOLENOID VALVES

intrinsically safe

II 1G Ex ia IIC T6 Ga, II 2D Ex ib IIIC T85°C Db IP67
ISO 15218 (CNOMO, size 30) interface
direct operated, pad mounting body



NC



3/2
Series

195/LISC



FEATURES

- Low consumption valves for use in potentially explosive atmospheres according to ATEX-Directive 2014/34/EU
EC type examination certificate no.: **DEKRA 11 ATEX 0091 X**
IECEx Certificate of Conformity no.: **IECEx DEK 11.0038X**
- Compliance with the Essential Health and Safety Requirements has been assured by compliance with the International and European Standards IEC and EN: 60079-0 and 60079-11
- The valve's Ex ia protection allows it to be installed in explosive atmospheres up to zone 1. It can be used in the chemical, oil and pharmaceutical industries, or in processing and packaging plants for flammable products (paints, solvents)
- Compact, monobloc pilot valve with spade plug connection according to ISO 4400 / EN 175301-803, form A (3 pins)
- This solenoid valve can be mounted as operator onto valve 551-553 series SIL3 capable (EXIDA approval)

GENERAL

Differential pressure

2 - 10 bar [1 bar = 100 kPa]

Flow

See «SPECIFICATIONS»

conforming to ISO 6358

$C = 3 \times 10^{-10} \text{ m}^3/\text{s.Pa}$ (sonic conductance)

$b = 0,4$ (critical pressure ratio)

ISO 15218 (CNOMO E06.05.80N, size 30)

Pneumatic base

11 ms

Response time

fluids (*)	temperature range (TS)	seal materials (*)
air or inert gas dry, filtered (50 µm), without condensate, dew point: -20°C	-40°C to +65°C	FPM (fluoroelastomer)

MATERIALS IN CONTACT WITH FLUID

(*) Ensure that the compatibility of the fluids in contact with the materials is verified

Body

Aluminium

Internal parts, core tube

Stainless steel

Seals

FPM

Subbase

PA or zamak

OTHER MATERIALS

Coil

Thermoplastic resin

ELECTRICAL CHARACTERISTICS

Coil insulation class

F

SAFETY CODE ⁽¹⁾

Ex II 1G Ex ia IIC T6 Ga
II 2D Ex ib IIIC T 85°C Db IP67

⚠ ⁽¹⁾ For use in zone 0 locations, see the installation conditions given in the I&M instructions.

Connector

Spade plug (cable Ø 6-8 mm)

Connector specification

ISO 4400 / EN 175301-803, form A

Electrical safety

IEC 335

Electrical enclosure protection

Moulded IP65 (EN 60529)

Standard voltages

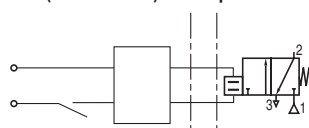
DC (=) : 12V .. 24V

voltage (U _n) (max. ripple 10%)	typical functional ratings			R 20°C	operator ambient temperature range (TS)	type ⁽³⁾
	I _(ON) min.	U _(ON) min.	P _(ON) min.			
(V)	(mA)	(V)	(W)	(Ω)	(°C) ⁽¹⁾	
24	36	12,8	0,46	240	-40 to +65	01

safety parameters				
U _i = (DC)	I _i	P _i	L _i	C _i
(V)	(mA)	(W)	(H)	(µF)
30	300	1,6	0	0

safe area (RS interface)

explosive area



Example of use with a Zener barrier installed in a non-hazardous zone

TEMPERATURE CLASSIFICATION TABLES DC (=)

Pi (watt)	maximum ambient °C ⁽¹⁾	
	surface temperature	
	T6 85°C	
Insulation class F (155°C) 100% E.D. ⁽²⁾		
1,6	65	

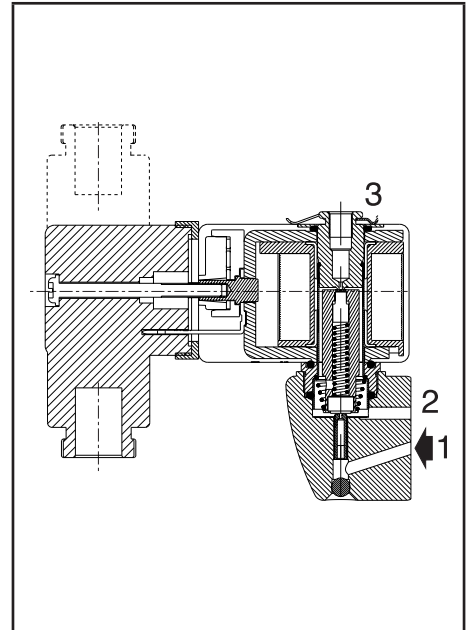
⁽¹⁾ The minimum allowable ambient temperature is -40°C

⁽²⁾ This intrinsically safe valve must be connected to a specific, approved power supply (safety barrier or interface) located in a safe area. See list of safety barriers/interfaces on page 2.

⁽³⁾ Refer to the dimensional drawings on the following page.

SPECIFICATIONS

pipe size	orifice size		flow				operating pressure differential (bar)		power coil (W)	catalogue number
	1 → 2 (mm)	2 → 3 (mm)	at 6 bar l/min (ANR)		coefficient Kv (l/min)		min.	max. (PS)		without manual operator
			1 → 2	2 → 3	1 → 2	2 → 3		air (*)		
NC - Normally closed										
pad mounting	0,5	0,7	8	15	0,11	0,26	2	10	0,46	19500036



01056GB-2017/R01 Availability, design and specifications are subject to change without notice. All rights reserved.

SUBBASES

pipe size	designation	safety code	catalogue number
6/6 polyamide subbases			
instant fittings ⁽¹⁾	single subbase (instant fittings OD 4 mm)	II 2 GD c Ta 50°C T 85°C (T6)	35300069
Zamak subbases			
G 1/8 ⁽¹⁾ , tapped	laterally-connected single subbase	II 2 GD c Ta 50°C T 85°C (T6)	35300047

⁽¹⁾ These subbases can be mounted on omega rail to EN 50022 using 2 clips (clips sold in packs of 10, catalogue number: **33400036**).

OPTIONS

- Joinable subbases

INSTALLATION

- The solenoid valves can be mounted in any position without affecting operation
- Solenoid valve supplied with mounting screws
- Pipe connections G 1/8 have standard thread according to ISO 228/1
- Electrical connection between solenoid valve and barrier/interface with cable type A or B according to EN 50039
- Installation/maintenance instructions are included with each valve

RECOMMENDED INTERFACES

Located in safe areas, these interfaces allow to feed the intrinsically safe solenoid valves located in explosive areas. This equipment must be ordered from its respective manufacturers, specifying that they are intended to feed intrinsically safe solenoid valves 19500036/LISC: II 1G Ex ia IIC T6 Ga, II 2D Ex ib IIIC T85°C Db IP67

INTERFACES		
manufacturer	module type	IIC / IIIC
Bartec	07-7331-2301/1001	x
ABB	DO910S	x
GEORGIN	BXNE711002	x
	BXNE71100E	x
G.M. International	D1040Q-2	x
	D1042Q-2	x
	D1048S	x
	D1049S	x
	D5048S	x
MTL	D5049S	x
	MTL5522	x
	MTL5521	x
Pepperl + Fuchs	MTL4524S	x
	KFD2-SD-Ex1.36	x
	KFD2-SL2-Ex1	x
	KFD2-SL2-Ex1.B	x
	KFD2-SL2-Ex1.LK	x
	KFD2-SL2-Ex2	x
	KFD2-SL2-Ex2.B	x
	KCD0-SD-Ex1.1245	x
	KFD0-SD2-Ex2.1245	x
	HIC2871	x
	LB-2112	x
FB-2212	x	
Siemens	6ES7132-7RD11-0AB0 2 ways	x
	6ES7132-7RD22-0AB0 2 ways	x
	6ES7132-7GD10-0AB0 2 ways	x
	6ES7132-7GD20-0AB0 2 ways	x
	ET200IS double	x
	6ES7132-7RD10-0AB0 2 ways	x
	6ES7132-7RD20-0AB0 2 ways	x
Stahl	9475/12-04-11	x
	9475/12-04-21	x
	9475/22-04-21	x
	9475/32-04-12	x
	9475/32-04-22	x
	9475/32-04-72	x
	9175/10-14-11	x
	9175/20-14-11	x
	9176/10-14-00	x
	9176/20-14-00	x
9001/01-280-100-101	x	
Turck	MC72-41Ex-T/24VDC	x
	MC72-44Ex-T	x
WAGO	750-535	x

ZENER BARRIERS		
manufacturer	module type	IIC / IIIC
CEAG	SB-3722	x
	SB-2420	x
	SB-3729	x
	SB-3728	x
MTL	MTL 728	x
	MTL 728P	x
	MTL 779	x
Pepperl + Fuchs	Z728	x
	Z728.H	x
	Z728.CL	x
Stahl	9001/01-280-085-101	x
	9001/01-280-100-101	x
	9001/01-280-110-101	x

In accordance with the zone classification and the national legislation of each country, apply the certification procedures for the connection of IS-rated products with associated equipment. All information subject to change without notice. All responsibility for the use of products from other suppliers and the possible modifications of their characteristics is disclaimed.

ORDERING EXAMPLES:

basic number	19500036	.	12..24V / DC	voltage
--------------	----------	---	--------------	---------

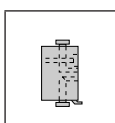
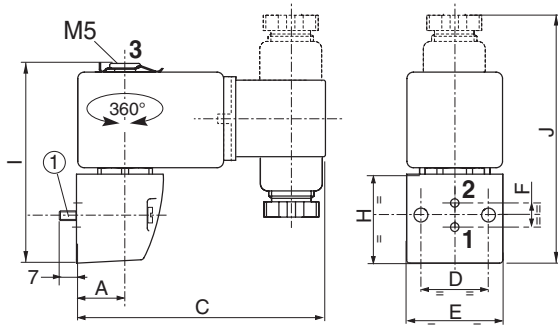
DIMENSIONS (mm), WEIGHT (kg)



TYPE 01

Spade plug
IEC 335 / DIN 43650
II 1G Ex ia IIC T6 Ga
II 2D Ex ib IIC T85°C Db IP67

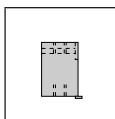
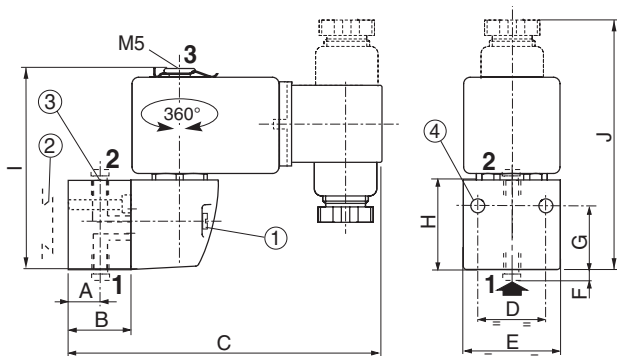
19500036



TYPE 02

Single instant fitting subbase
Polyamide

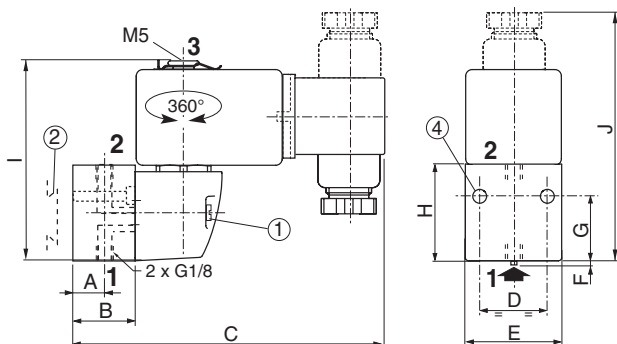
35300069



TYPE 03

Single subbase
Zamak

35300047

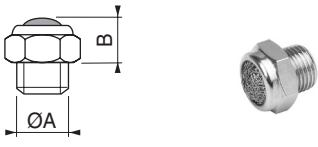


type	catalogue number	A	B	C	D	E	F	G	H	I	J	weight ⁽²⁾
01	19500036	15,5	-	79	21	30	7,5	15	30	63	75	0,22
02	35300069	13	20	99	23	33	4	22,5	30	67	80	0,20
03	35300047	15	25	104	21	31	3,5	30	36	70	83	0,20

⁽²⁾ Incl. coil(s) and connector(s).

- ① Mounting: two CM 4 x 35 screws
- ② Adaptable clips
- ③ Instant-fitting connection for OD 4 mm tube
- ④ Two dia. 3,5 mm securing holes

ACCESSORIES

	
ØA	M5
B	4,5
<p>exhaust protector (stainless steel) catalogue number: 34600484</p>	