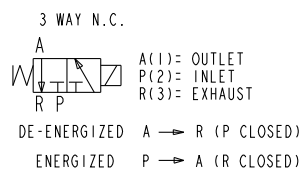
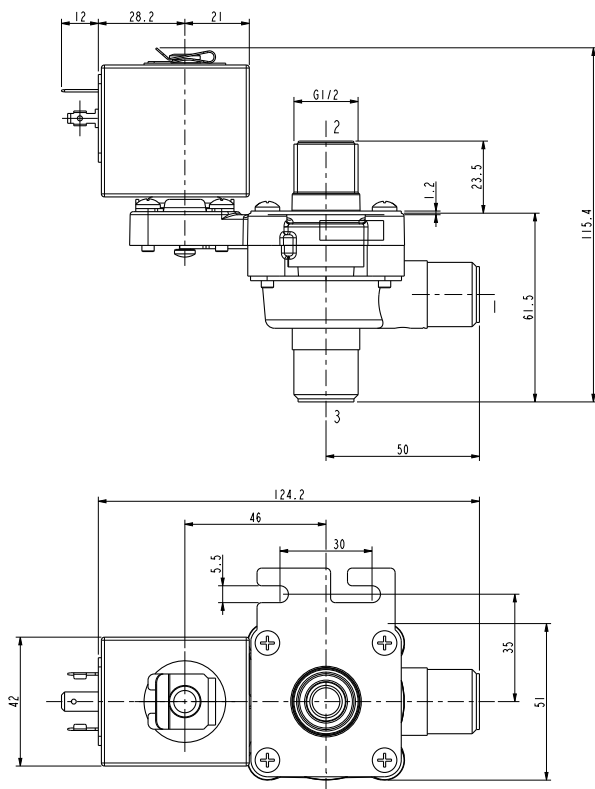


# ASCO™ SOLENOID VALVE - DRY

3/2 NORMALLY CLOSED - DIRECT ACTING - TOTAL ISOLATION - G 1/2

**SERIES**  
**D332**



## General Features

Direct acting, total isolation solenoid valve: the operator is totally isolated from the fluid so that the wetted parts are just the body and the lever-seal.

Possibility of manual opening.

Possibility of disassembling for inspection.

Core duly coated by PTFE (polytetrafluoroethylene) based self lubricating material.

Suitable to shut off liquid and gaseous fluids (verify the compatibility of fluid with materials in contact).

## Technical Features

Maximum allowable pressure (PS)	2 bar
Opening time	~30ms
Closing time	~30ms
Fluid temperature	-10°C +90°C
Max viscosity	5°E (~37 cStokes or mm <sup>2</sup> /s)

## Materials in Contact with Fluid

Body	PPS (see notes)
Sealing	FPM

## Coil

Continuous Duty	ED 100%	
Encapsulation material	PET (polyethylene terephthalate) fibreglass reinforced	
Insulation class	F (155°C)	
Ambient temperature	-10°C +60°C	
Electric connections	DIN 46340 - 3 poles connector (EN 175301-803)	
Protection degree	IP 65 (EN 60529) with connector	
Voltages	DC	12-24V (+10% -5%)
	AC	24/50Hz-110/50Hz (120/60Hz)- 230V/50Hz (+10% -15%) (Other voltages and frequencies on request)

Port size ISO 228	Orifice size (mm)	Differential pressure (bar)				Kv (m <sup>3</sup> /h)	Series and type		Power absorption			Sealings	Notes	Weight (kg)
		Δp min	Δp max		Valve		Coil	AC (VA)		DC (W)				
			Gases	Liquids				Inrush	Holding					
G 1/2	9	0	AC	DC	AC	DC	D332V22C	Z130A	44	24	13	FPM	-	0,540

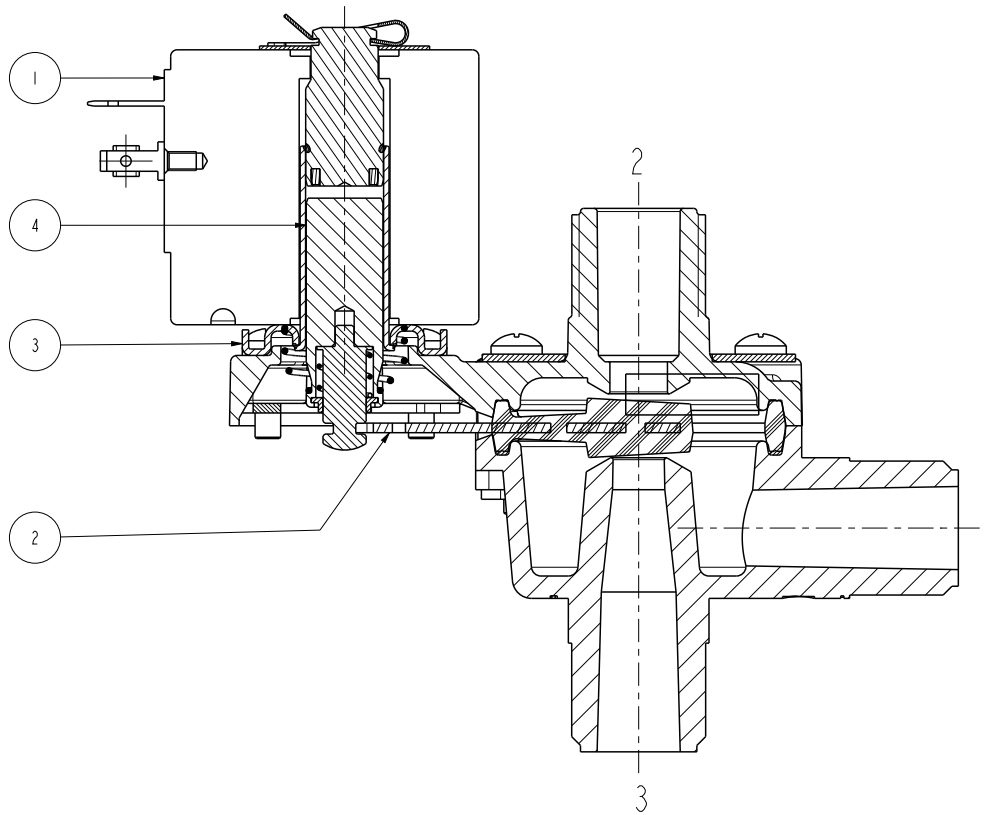
## Notes

- Sealings : FPM = Fluoro-carbon elastomer
- Body: PPS (Polyphenylene-sulfide) fibreglass reinforced, WRAS/KTW and NSF approval

**SERIES  
D332**

**ASCO™ SOLENOID VALVE - DRY**  
3/2 NORMALLY CLOSED - DIRECT ACTING - TOTAL ISOLATION - G 1/2

**Spare Parts**



Kit description	Kit P.N.	Consisting of:
Core kit	G31528	Core pos 4 Core return spring pos.5
Lever seal	3037301R	Lever-seal pos. 2
Kit core tube	G31523	Core tube pos. 3 Coil clip
Coil	Z130A	Coil pos. 1

**Installation**

- Solenoid valve can be mounted in any position; vertical with coil upwards preferred.
- In case of disassembling for usual maintenance, the fixing screws have to be tightened at 1,5 Nm max torque.
- Maximum driving torque of the pipe fittings for thread connections = 15 Nm.

THE VALIDITY OF REPORTED DATA IS REFERRED TO THE DATE OF ISSUE. POSSIBLE UPDATES ARE AVAILABLE ON REQUEST